



WamBlee
Committed to Excellence

W400

rescue device

“MAN OVERBOARD” DEVICE

- HIGH-TECH AND RELIABLE
- LIGHT, COMPACT AND EASY TO WEAR
- SIMPLE TO USE
- HIGHLY-EFFICIENT LIGHTING SIGNAL DESIGNED TO ENSURE IMPROVED LOCALISATION IN CONDITIONS OF POOR VISIBILITY
- MANUAL AND AUTOMATIC ACTIVATION



W400

rescue device

The new W400 "RESCUE-ME" is a compact personal safety device, designed to guarantee the safety of each member of a vessel's crew.

Applies easily to inflatable lifejacket through the removable bracket or using a textile hook.

Should the wearer fall into the sea, the W400 starts working automatically thanks to the sea-sensors situated on the rear of the device, and it transmits a radio signal that can be used to locate the shipwrecked person.

The W400 is fitted with an activation / deactivation knob and a safety lock to avoid the device being accidentally activated, a high-performance light signal (LED) to aid localisation of the person in conditions of poor visibility, and large Test or Manual Activation pushbutton.

When the activation knob is in the OFF position, pressing on the button activates the TEST procedure used to check that

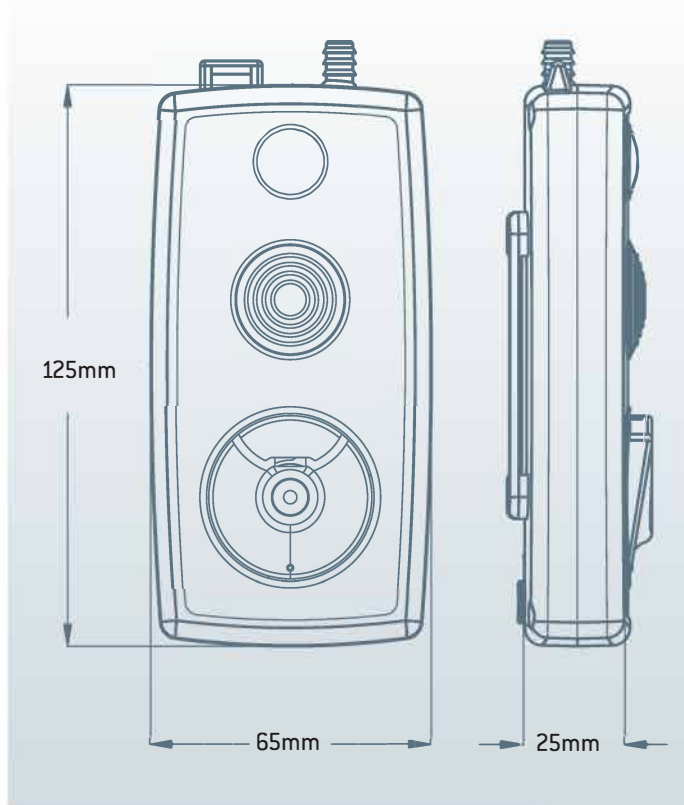
the device is working properly, and to control the level of the batteries. With the activation knob in the ARMED position, press on the pushbutton to immediately send out the alarm signal.

The W400 emits a radio signal at the international distress frequency of 121.5 MHz, which can be received by the W402 on-board receiver, and by any alerted SAR units. The batteries supplied with the device (three LiMnO2 3-volt batteries) have a guarantee life of 2 years (in normal weather conditions) and can be replaced directly by the user. The W400 is an extremely easy-to-use device, and thanks to its ergonomic design and the shape of its controls, can be easily activated even if the user is wearing gloves and/or protective gear.

TECHNICAL SPECIFICATIONS

- Emission frequency: 121.5 MHz.
- Test frequency: 121.5 MHz.
- Emission power: +20 dBm typical, +17 dBm minimum, <-46 dBm during test procedure.
- Modulation: A3X.
- Modulation tone: dropping from 1500 to 400 Hz, twice a second.
- Message type: homing beep as per technical regulations.
- Antenna: flexible wipe antenna with silicon-rubber protective sheath.
- Light signalling: 1 diode LED high-performance white light, 70mS flash repeated 20 times/minute.
- Light level : > 0.8 candlepower perpendicularly
- Working temperature: from -20°C to +55°C.
- Storage temperature: from -30°C to +70°C.
- Activation: both automatic and manual.
- Power supply: 3 primary LiMnO₂/3AA batteries (3x 3V.).
- Battery life: replace every 5 years.*
- Operations and controls: automatic working with water sensors, manual activation, TEST function.
- Duration of operation (once activated): at least 24 hours.
- Size: 125 x 65 x 25 mm (L x W x H).
- Weight: 200g.
- CE (Directive RED), FCC and IC certified.
- Guarantee: 2 years 'World-Wide'.
- Alarm receiver: W402 (Receiver), sold separately.
- Available in ATEX version.

Order code	Description	Packing quantity
P20001	W400 'RESCUE-ME' MOB	1



*in standard weather conditions (20° ± 5°, < 60% UR), without ever being activated.

to make technical changes without prior notice Cod. D90001-EN - Rev.E - 10/2017



Marine Rescue Technologies, Inc.

Call: +1-772-388-1326

Email: SOS@MarineRescueTechnologies.com

Visit: www.MarineRescueTechnologies.com

1623 US Highway 1, Suite A-1 - Sebastian, FL, 32958