



WamBlee
Committed to Excellence

W402

rescue receiver

VHF MOB RECEIVER

COMPACT SIZE

EASILY MOUNTED ON THE WALL OR
ON A FLAT SURFACE

RECEIVER COMPATIBLE WITH ALL MOB
DEVICES PRODUCED TO EN 300-152
STANDARDS

INDICATOR OF RECEIVED SIGNAL
INTENSITY

AUTOMATIC SAR
TONE RECOGNITION



W402

rescue receiver

The W402 "RESCUE-ME" receiver is the natural choice for use with the W400 MOB system. It can receive radio signals emitted by all MOB devices produced to EN 300-152 standards.

In the event that an MOB device is activated within the W402 receiver's radius of action, the receiver recognises the SAR alarm tone and signals this via the built-in speaker, alerting the crew of the vessel.

Another external signalling device (siren, flash, phone dialler or other device) may be connected to the W402 receiver via an additional contact fitted with standard equipment. The receiver is fitted with a coaxial cable for connection to an omnidirectional VHF antenna (not included).

The W402 receiver is capable of selecting up to 3 different reception frequencies (121.5 MHz plus 2 test frequencies), of adjusting the volume of the received signal, of enabling or

disabling the Squelch (noise suppressor) device, and of resetting the received alarm.

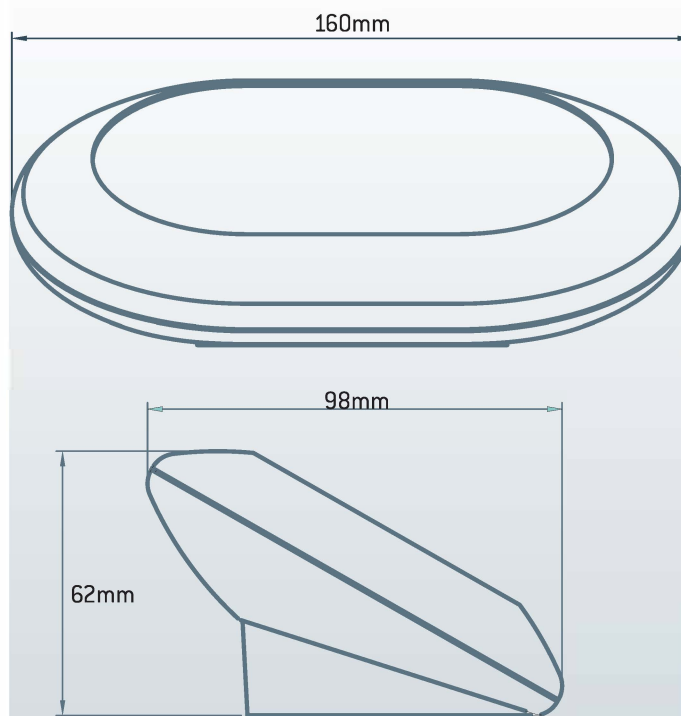
Its compact size means that the W402 may be positioned in any part on the vessel (see the technical specifications regarding "Weather conditions"), and its adjustable base enables it to be mounted either on a wall or on a flat surface.

TECHNICAL SPECIFICATIONS

- Weather conditions: can be operated at temperatures of between -20° and +55°C, UR < 60% and stored at temperatures of between -30 and +70 °C., UR < 80%.
- SAR reception frequency: 121.5 MHz.
- Test frequency: 121.65 MHz (121.75 MHz).
- Sensitivity: 2uV / 50 Ohm 10dB SINAD.
- System operations : Switching on, Start up (Reset following alarm signal), Selection of operating frequency (returns automatically to the SAR frequency after 5 minutes), volume control and squelch (noise suppressor) control.
- Power supply: from 9 to 30 Volts.
- Power consumption: approx. 8 Watts.
- Size: 180 x 98 x 60 (L x H x W).
- Weight: 250 gr.
- Guarantee: 2 years "World-Wide".
- EC certificate.



Order code	Description	Packing quantity
P20002	W400 'RESCUE-ME'	1
P20003	VHF stylus antenna	1



We reserve the right to make technical changes without prior notice - Cod. D9002-EN - Rev.B - 05/2020



Marine Rescue Technologies, Inc.

Call: +1-772-388-1326

Email: SOS@MarineRescueTechnologies.com

Visit: www.MarineRescueTechnologies.com

1623 US Highway 1, Suite A-1 - Sebastian, FL, 32958

CERTIFICATO
SISTEMA DI GESTIONE
ISO 9001:2015